

TRAXXAS

TRX4

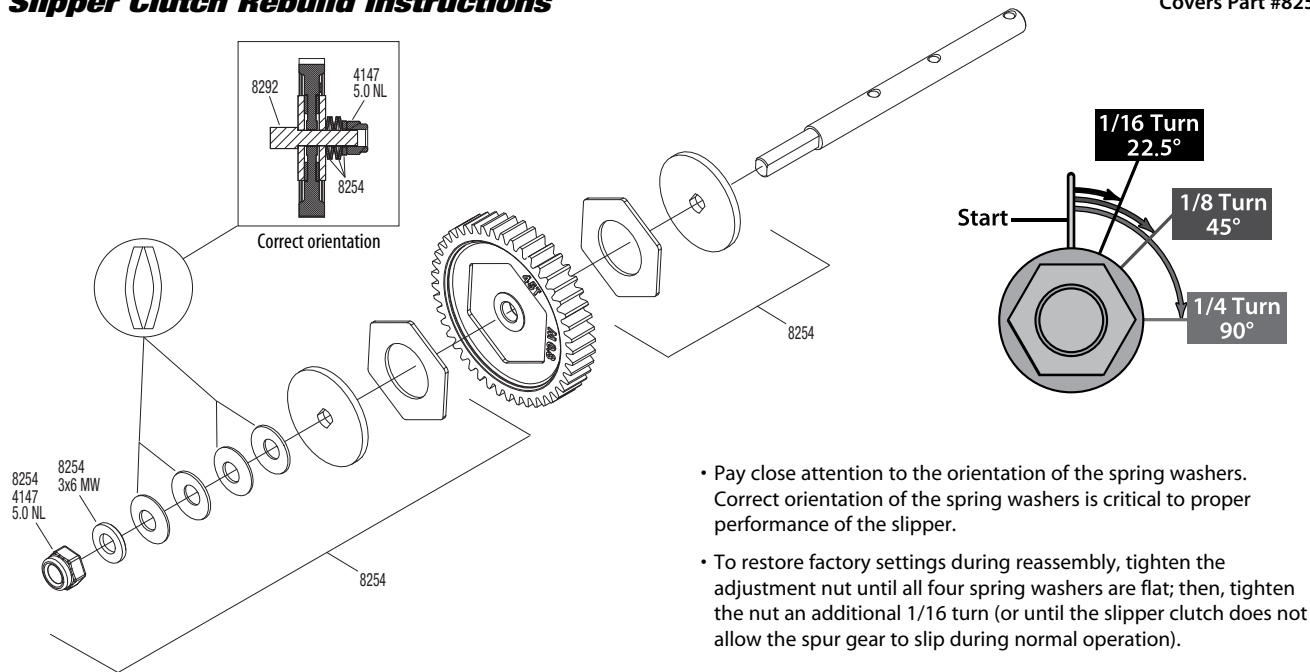


Visite la página TRAXXAS.com/manuals para descargar el instrucciones en su idioma.

Auf TRAXXAS.com/manuals können Sie anleitung in Ihrer Sprache downloaden.

Slipper Clutch Rebuild Instructions

Covers Part #8254



- Pay close attention to the orientation of the spring washers. Correct orientation of the spring washers is critical to proper performance of the slipper.
- To restore factory settings during reassembly, tighten the adjustment nut until all four spring washers are flat; then, tighten the nut an additional 1/16 turn (or until the slipper clutch does not allow the spur gear to slip during normal operation).

TRAXXAS.COM

KC2513-R02 Rev 170523

Traxxas, 6250 Traxxas Way, McKinney, TX 75070, Phone: 972-549-3000, Fax: 972-549-3011, e-mail: support@Traxxas.com